

# SERIES TL 1250 SWITCHES

## ILLUMINATED RIGHT ANGLE TACT SWITCH



E-SWITCH™



### MECHANICAL SPECIFICATIONS

Mechanical Life:	50,000 cycles
Force:	120 ± 60 gf; 180 ± 60 gf; 280 ± 70 gf
Travel:	0.2mm ± 0.1mm

### ELECTRICAL SPECIFICATIONS

Contact Rating:	12VDC @ 50mA
Contact Resistance (Initial Max.):	100 mOhms @ 5VDC
Insulation Resistance (min.@100V):	100 MOhms
Dielectric Strength (1 Min.):	250VAC
Bounce:	5m Second Max

### FEATURES & BENEFITS

- Right-angle, thru hole termination
- Single color LED options available
- Sharp, tactile response
- Long travel

### APPLICATIONS / MARKETS

- Telecommunications
- Consumer Electronics
- Audio/visual
- Medical
- Testing/instrumentation
- Computer/servers/peripherals

### ENVIRONMENTAL SPECIFICATIONS

Operating Temperature:	-20°C to +70°C
------------------------	----------------

### HOW TO ORDER

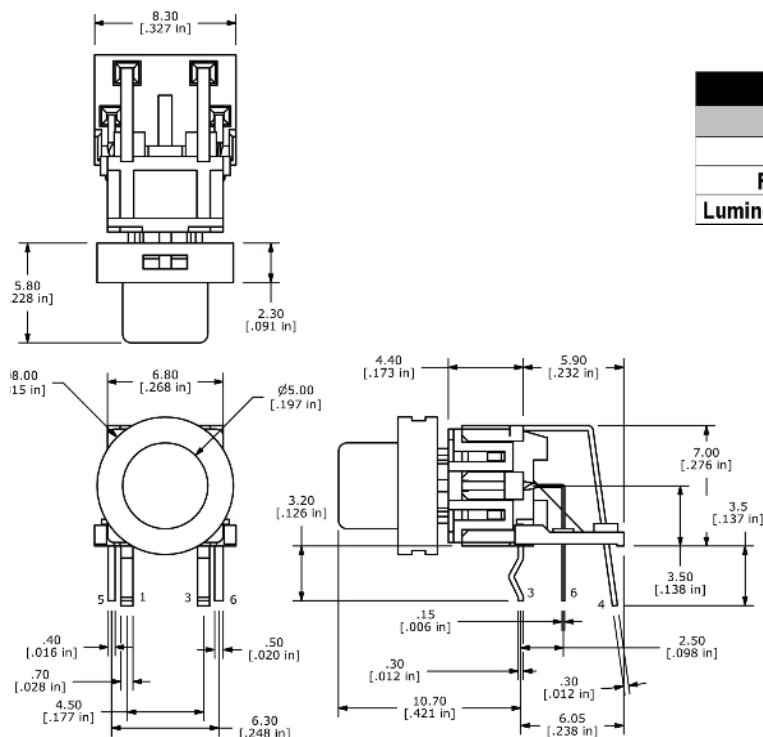
SERIES	MODEL NO.	OPERATING FORCE	LED OPTION	CONTACT MATERIAL	CAP OPTION	CAPCOLOR
TL	1250	F120 = 120 gf F180 = 180 gf F280 = 280 gf	A = None B = Blue R = Red G = Green Y = Yellow	Q = Silver R = Gold	R = Round Style N = No Cap	BLK = Black* RED = Red* GRY = Gray* CLR = Clear WHT = White*

### Example Ordering Number

TL1250 F180AQ RCLR

\*Denotes an opaque cap, not to be used with an LED

Specifications subject to change without notice.



### LED Specifications

	Blue	Green	Yellow	Red
Forward Current (mA)	20	20	20	20
Forward Voltage @20mA (V)	3.65-4.2	2.1-2.5	2.0-2.5	1.95-2.5
Luminous Intensity @10mA (mcd)	250	400	1800	1800

